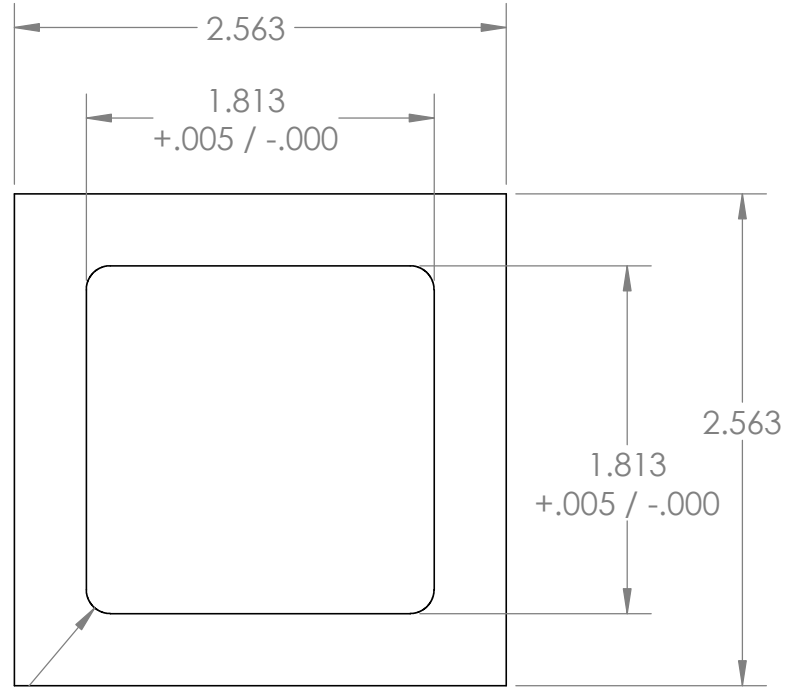


ϕ 1.073 THRU Nearside
+.005 / -.000



R.125 4x

ME 155

Lima

UNLESS OTHERWISE SPECIFIED:

DIMENSIONS ARE IN INCHES
TOLERANCES:
FRACTIONAL \pm
ANGULAR: MACH \pm BEND \pm
TWO PLACE DECIMAL \pm .010
THREE PLACE DECIMAL \pm .005

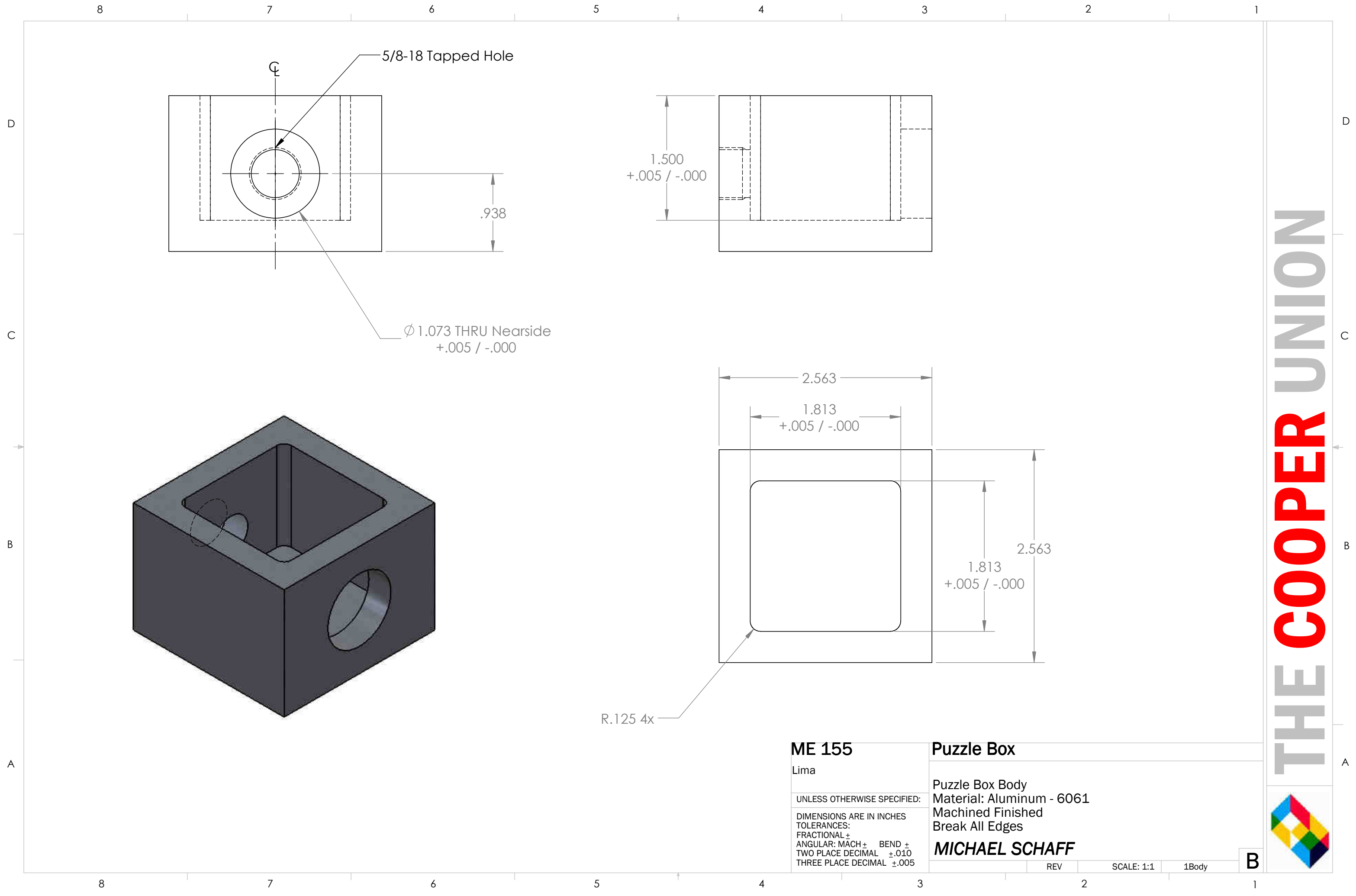
Puzzle Box

Puzzle Box Body
Material: Aluminum - 6061
Machined Finished
Break All Edges

MICHAEL SCHAFF

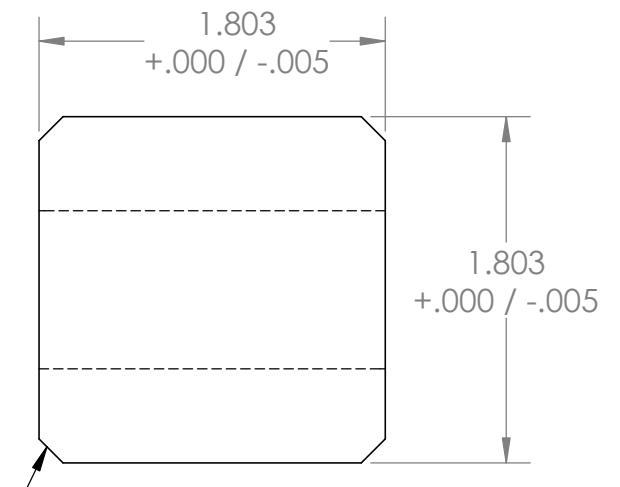
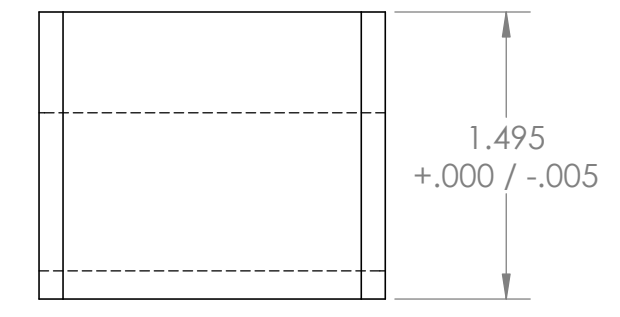
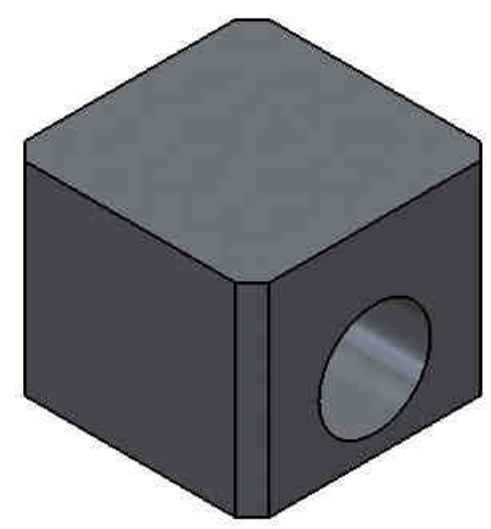
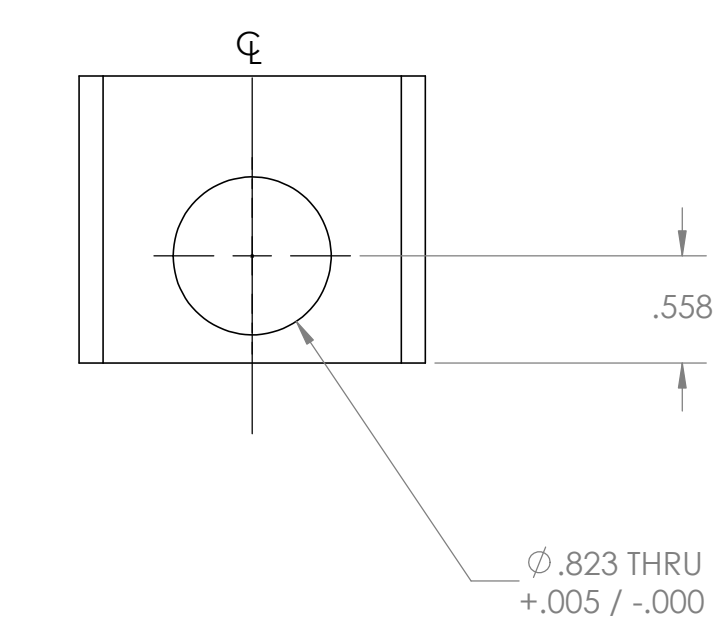
REV SCALE: 1:1 1Body

THE COOPER UNION



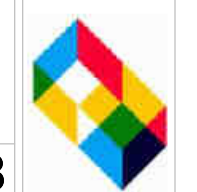
8 7 6 5 4 3 2 1

D
C
B
A

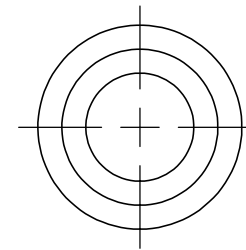
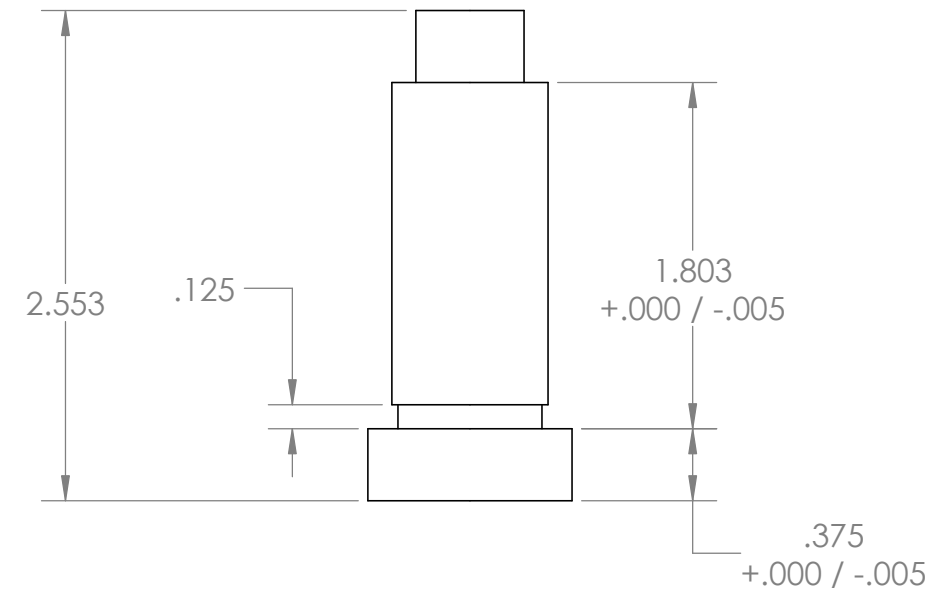
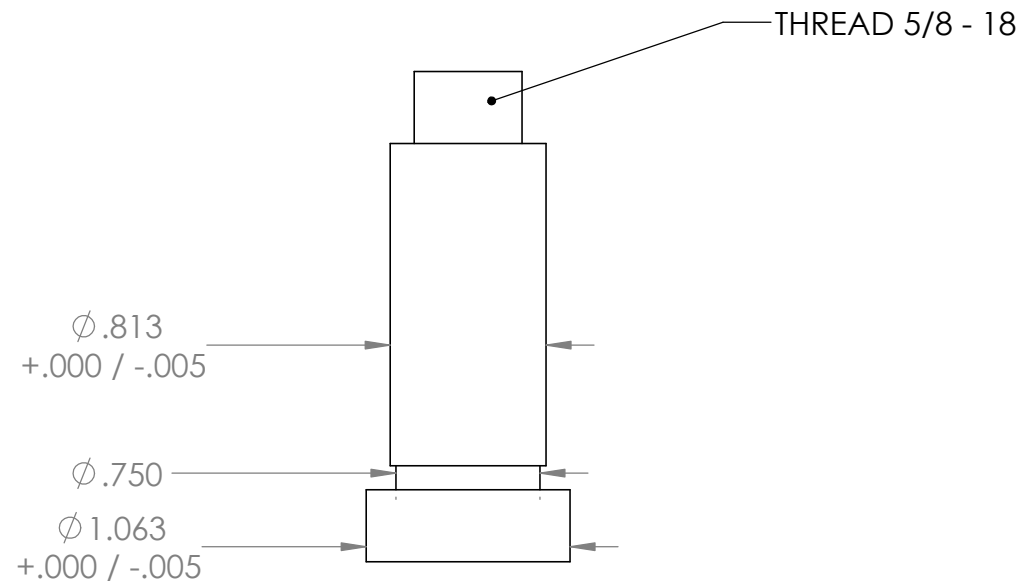


ME 155	Puzzle Box
Lima	Puzzle Box Body Material: Aluminum - 6061 Machined Finish Break All Edges
UNLESS OTHERWISE SPECIFIED: DIMENSIONS ARE IN INCHES TOLERANCES: FRACTIONAL \pm ANGULAR: MACH \pm BEND \pm TWO PLACE DECIMAL $\pm .01$ THREE PLACE DECIMAL $\pm .005$	MICHAEL SCHAFF
	REV 2 SCALE: 1:1 2Insert

THE COOPER UNION



8 7 6 5 4 3 2 1



ME 155

Lima

UNLESS OTHERWISE SPECIFIED:

DIMENSIONS ARE IN INCHES
 TOLERANCES:
 FRACTIONAL \pm
 ANGULAR: MACH \pm BEND \pm
 TWO PLACE DECIMAL $\pm .01$
 THREE PLACE DECIMAL $\pm .005$

Puzzle Box

Puzzle Box Retaining Pin
 Material: Brass
 Machined Finish
 Break All Edges

MICHAEL SCHAFF

REV

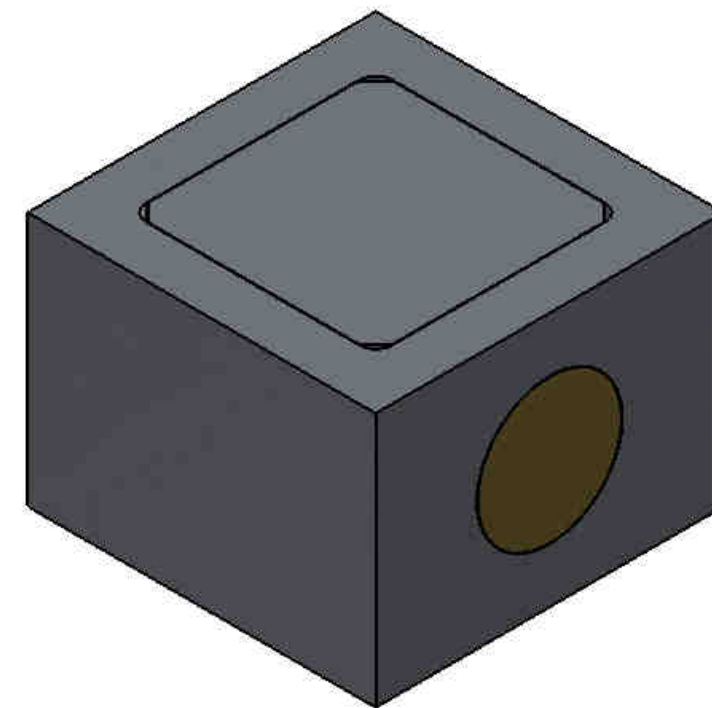
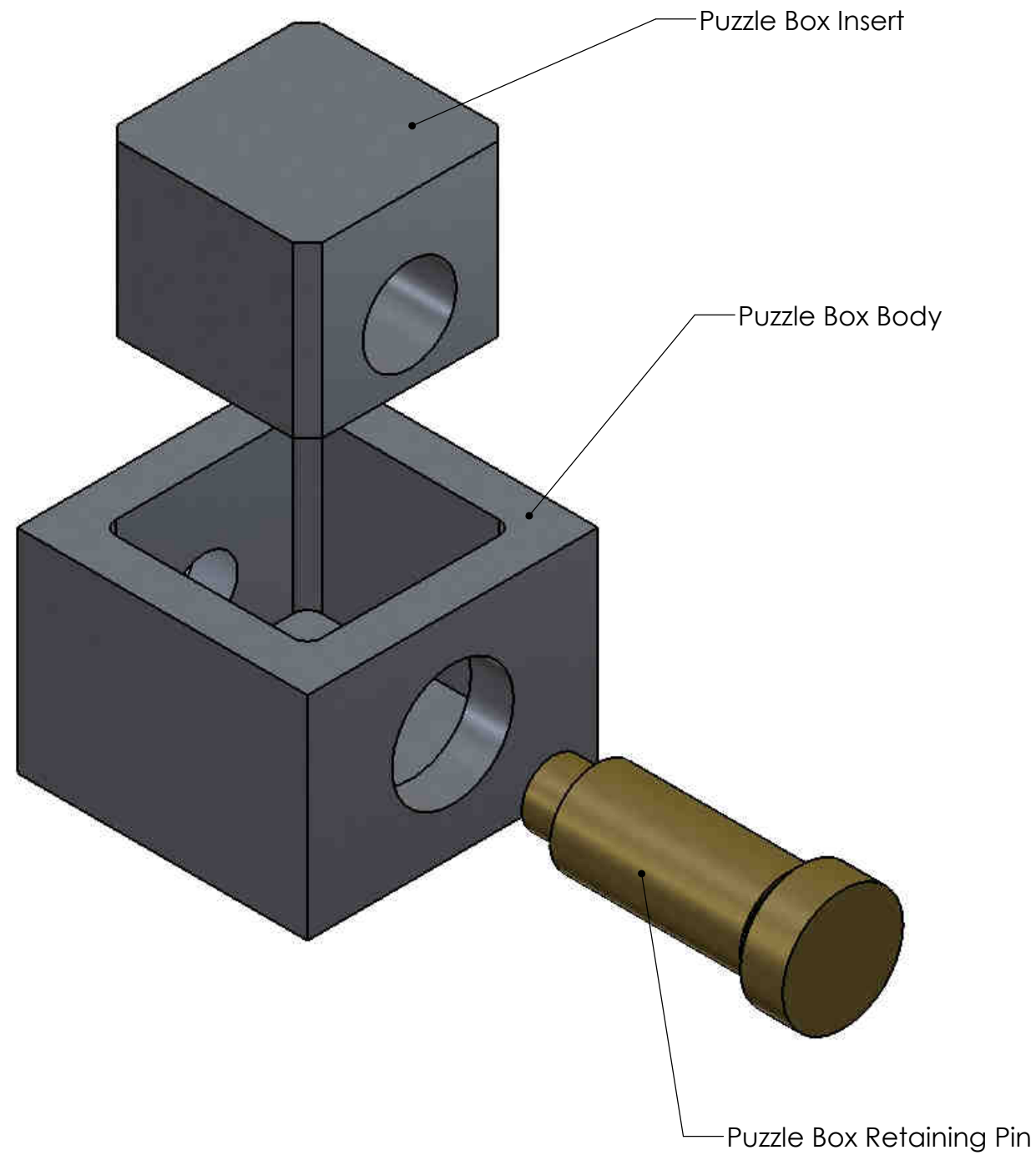
SCALE: 1:1

3Pin

B

THE COOPER UNION





ME 155

Lima

UNLESS OTHERWISE SPECIFIED:

DIMENSIONS ARE IN INCHES
 TOLERANCES:
 FRACTIONAL ±
 ANGULAR: MACH ± BEND ±
 TWO PLACE DECIMAL ±
 THREE PLACE DECIMAL ±

Puzzle Box

Puzzle Box Assembly
 Materials: Aluminum and Brass

MICHAEL SCHAFF

REV

SCALE: 1:1

4Assembly

B

THE COOPER UNION

