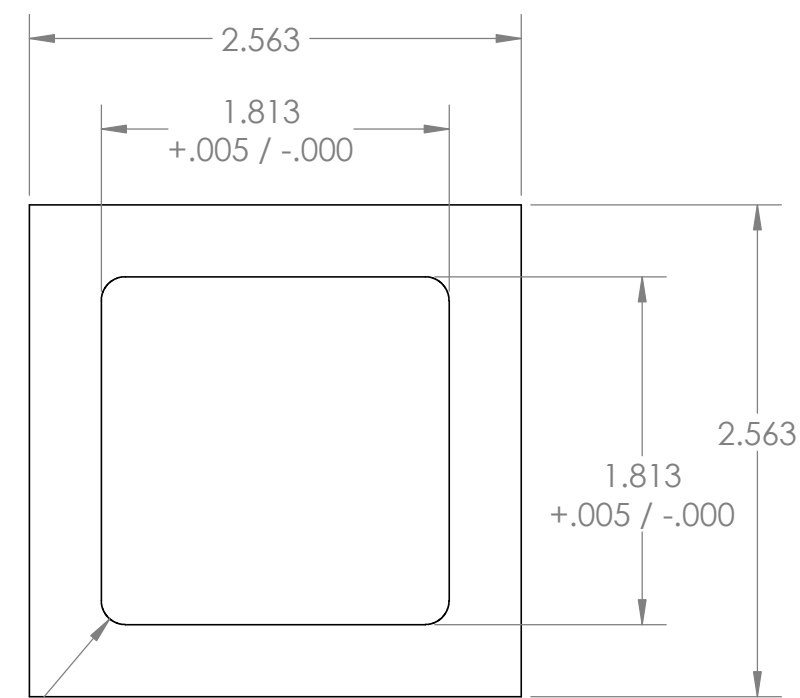
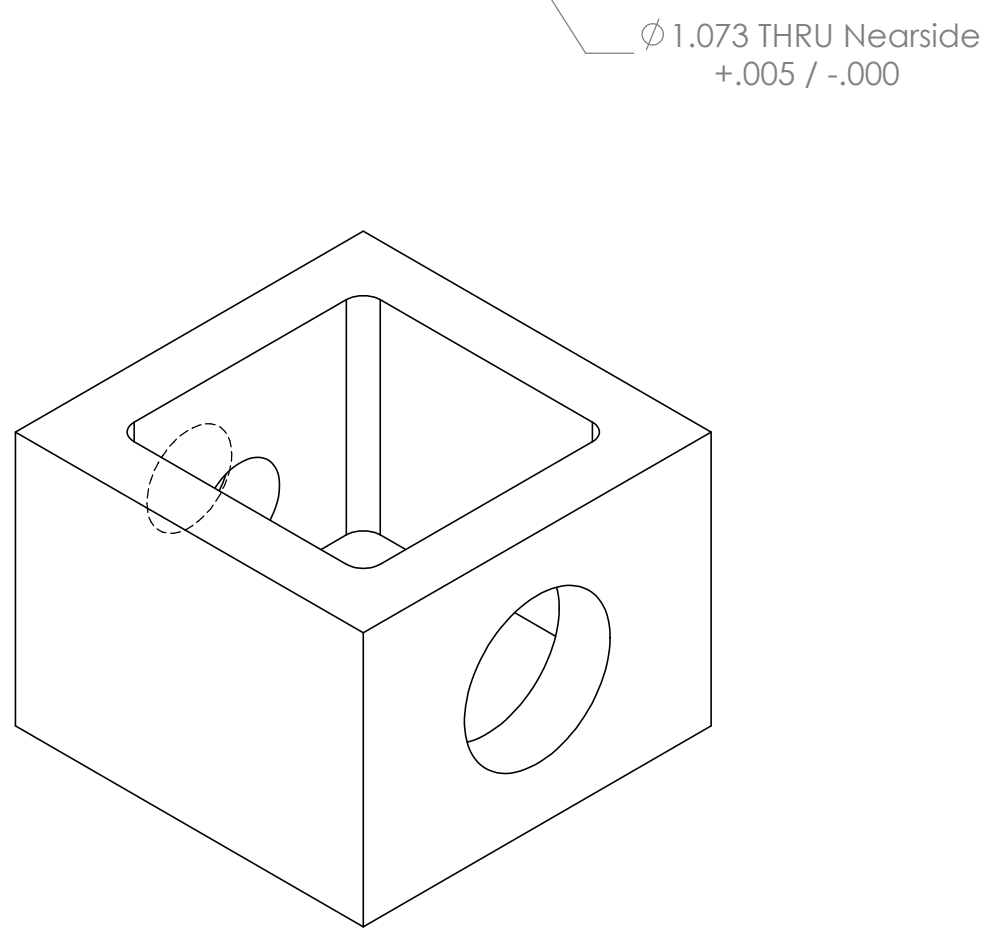
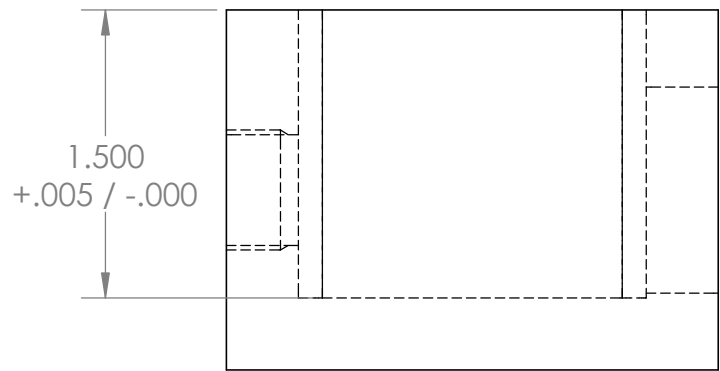
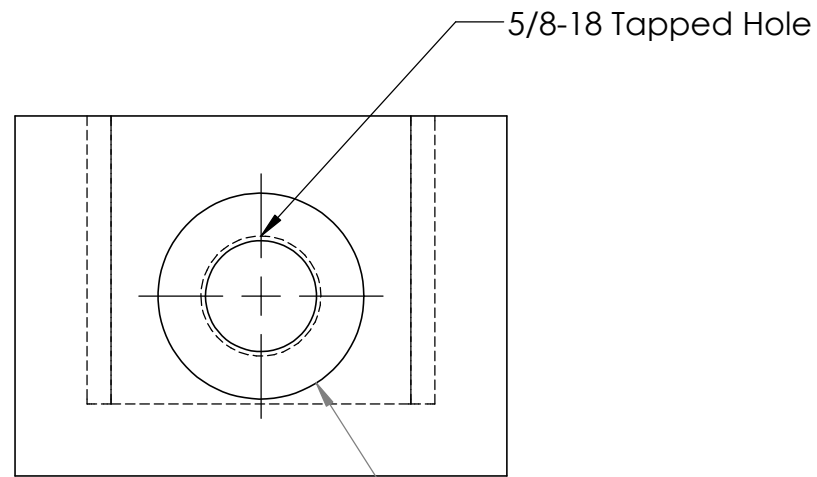


8 7 6 5 4 3 2 1

D  
C  
B  
A

D  
C  
B  
A



R.125 4x

**ME 155**

Lima

UNLESS OTHERWISE SPECIFIED:

DIMENSIONS ARE IN INCHES  
 TOLERANCES:  
 FRACTIONAL ±  
 ANGULAR: MACH ± BEND ±  
 TWO PLACE DECIMAL ±.010  
 THREE PLACE DECIMAL ±.005

**Puzzle Box**

Puzzle Box Body  
 Material: Aluminum - 6061  
 Machined Finished  
 Break All Edges

**MICHAEL SCHAFF**

REV	SCALE: 1:1	1Body
-----	------------	-------

8 7 6 5 4 3 2 1

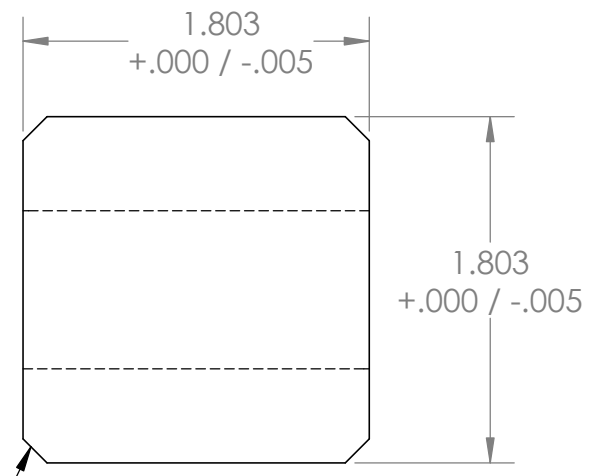
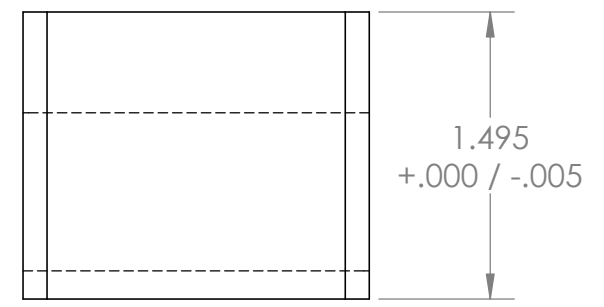
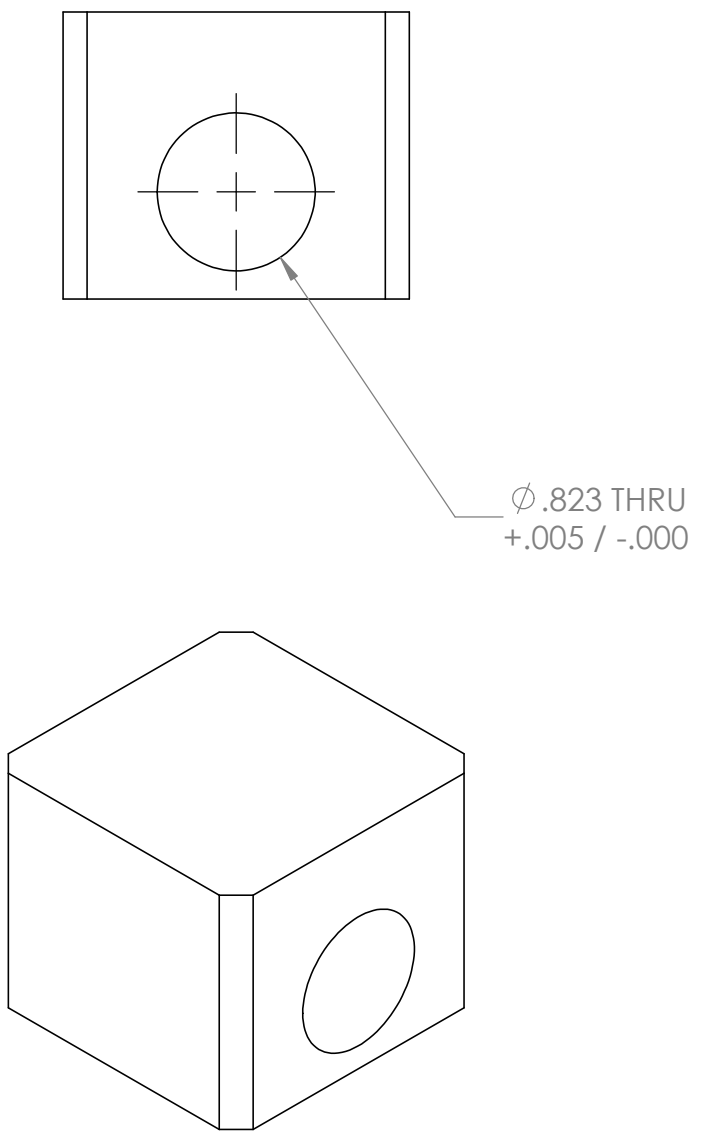
THE COOPER UNION



B

8 7 6 5 4 3 2 1

D  
C  
B  
A



**ME 155**

Lima

UNLESS OTHERWISE SPECIFIED:

DIMENSIONS ARE IN INCHES  
 TOLERANCES:  
 FRACTIONAL ±  
 ANGULAR: MACH ± BEND ±  
 TWO PLACE DECIMAL ±.01  
 THREE PLACE DECIMAL ±.005

**Puzzle Box**

Puzzle Box Body  
 Material: Aluminum - 6061  
 Machined Finish  
 Break All Edges

**MICHAEL SCHAFF**

REV SCALE: 1:1 2Insert

**B**

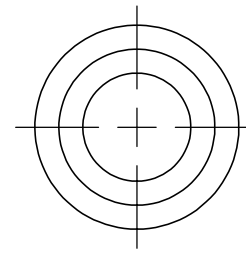
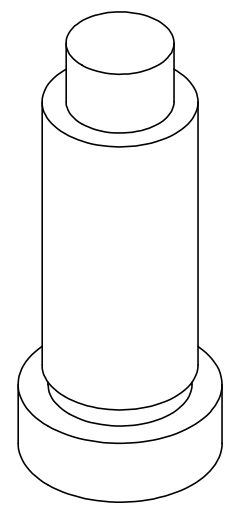
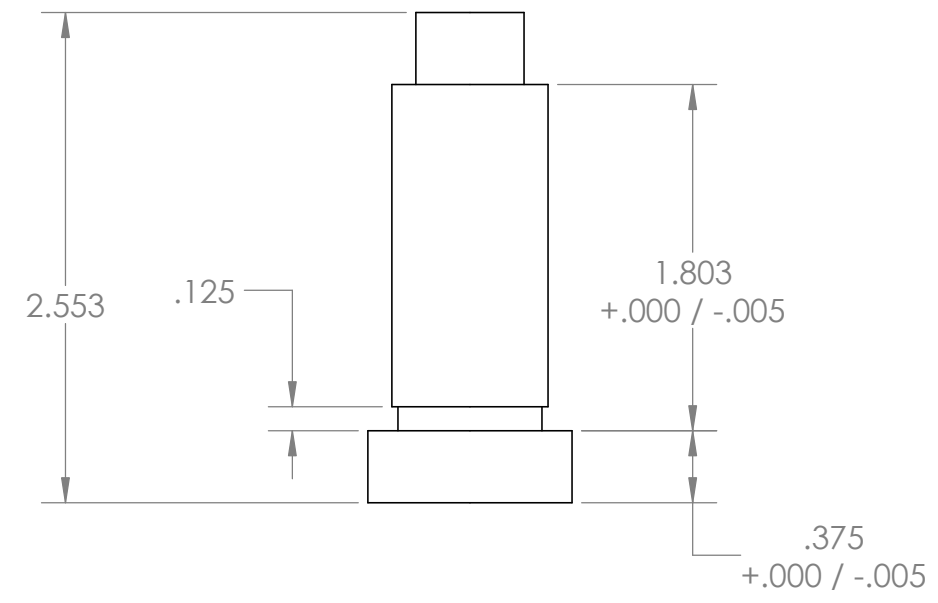
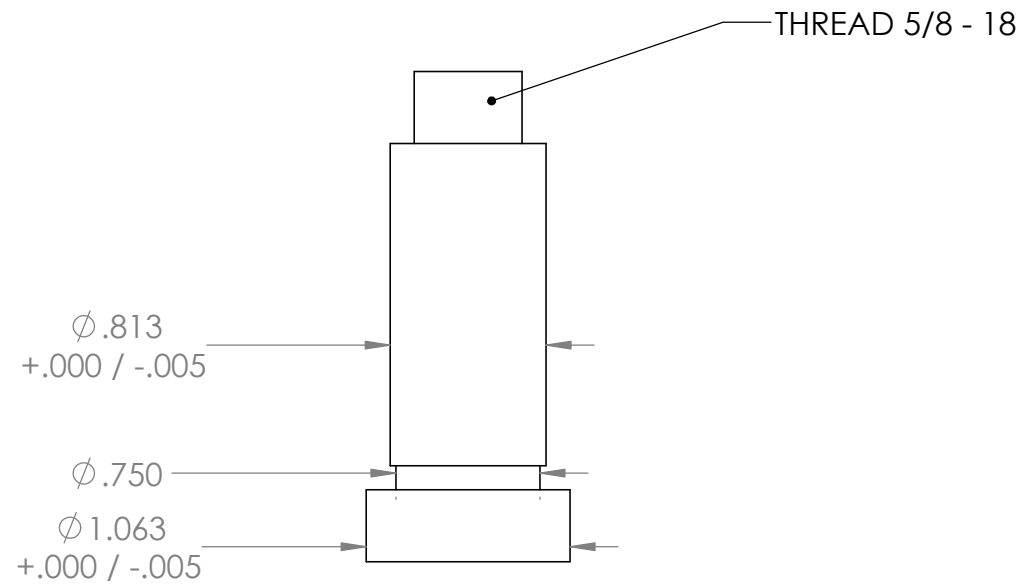
THE COOPER UNION



8 7 6 5 4 3 2 1

8 7 6 5 4 3 2 1

D  
C  
B  
A



D  
C  
B  
A

8 7 6 5 4 3 2 1

**ME 155**

Lima

UNLESS OTHERWISE SPECIFIED:

DIMENSIONS ARE IN INCHES  
 TOLERANCES:  
 FRACTIONAL  $\pm$   
 ANGULAR: MACH  $\pm$  BEND  $\pm$   
 TWO PLACE DECIMAL  $\pm .01$   
 THREE PLACE DECIMAL  $\pm .005$

**Puzzle Box**

Puzzle Box Retaining Pin  
 Material: Brass  
 Machined Finish  
 Break All Edges

**MICHAEL SCHAFF**

REV

SCALE: 1:1

3Pin

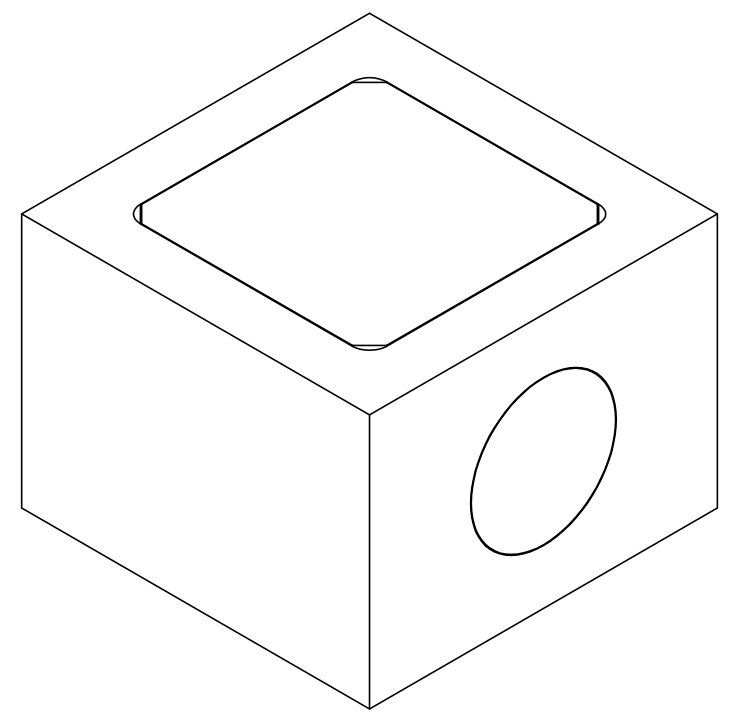
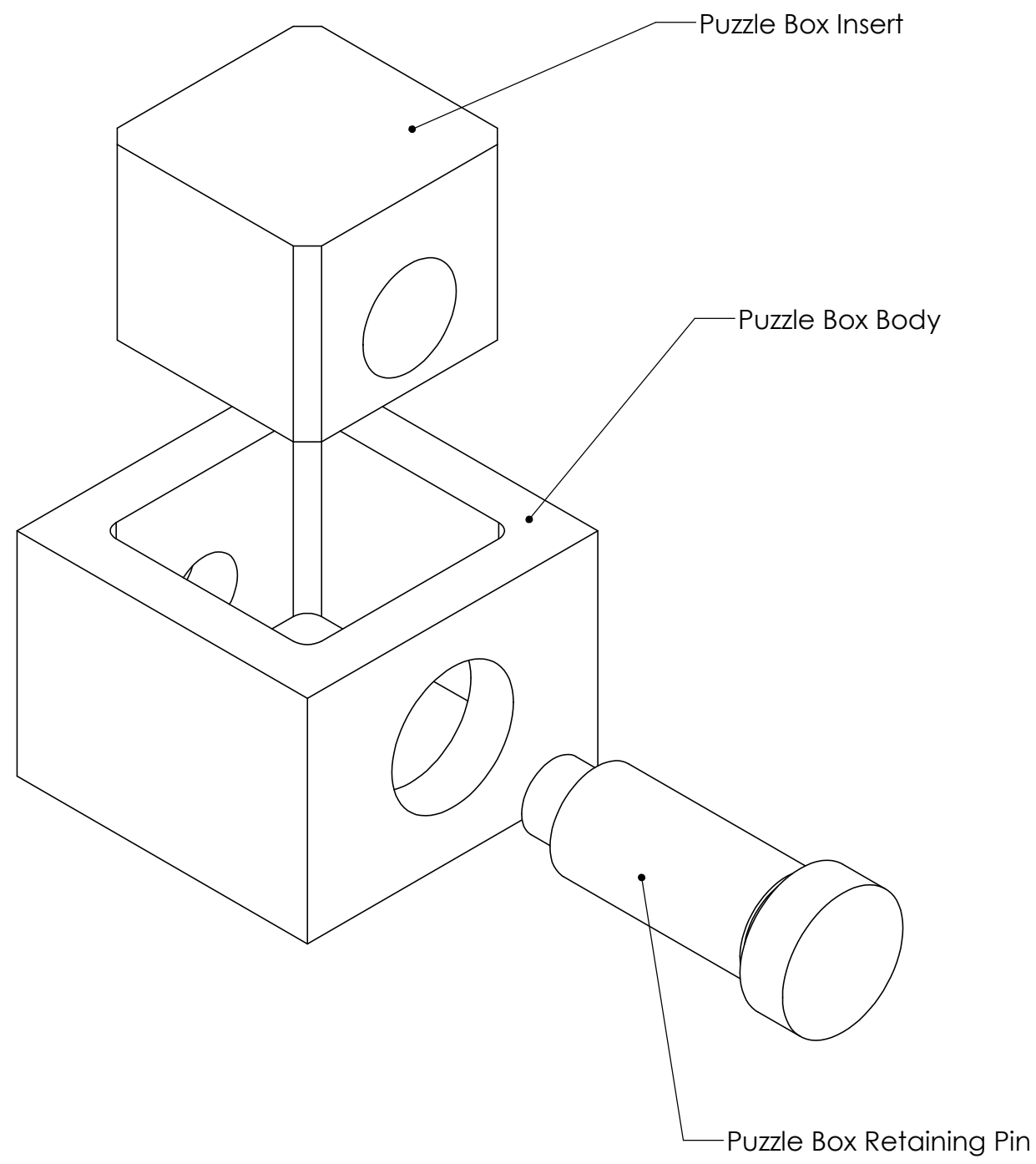
**B**

THE COOPER UNION



8 7 6 5 4 3 2 1

D  
C  
B  
A



D  
C  
B  
A

**ME 155**

Lima

UNLESS OTHERWISE SPECIFIED:

DIMENSIONS ARE IN INCHES  
 TOLERANCES:  
 FRACTIONAL ±  
 ANGULAR: MACH ± BEND ±  
 TWO PLACE DECIMAL ±  
 THREE PLACE DECIMAL ±

**Puzzle Box**

Puzzle Box Assembly  
Materials: Aluminum and Brass

**MICHAEL SCHAFF**

REV

SCALE: 1:1

4Assembly

**B**

8 7 6 5 4 3 2 1

THE COOPER UNION

